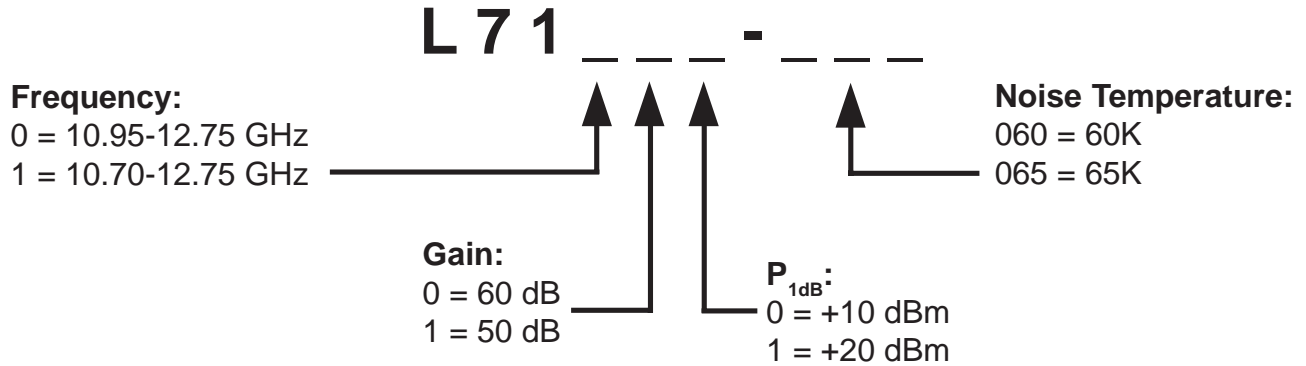




Model Number Configuration Guide

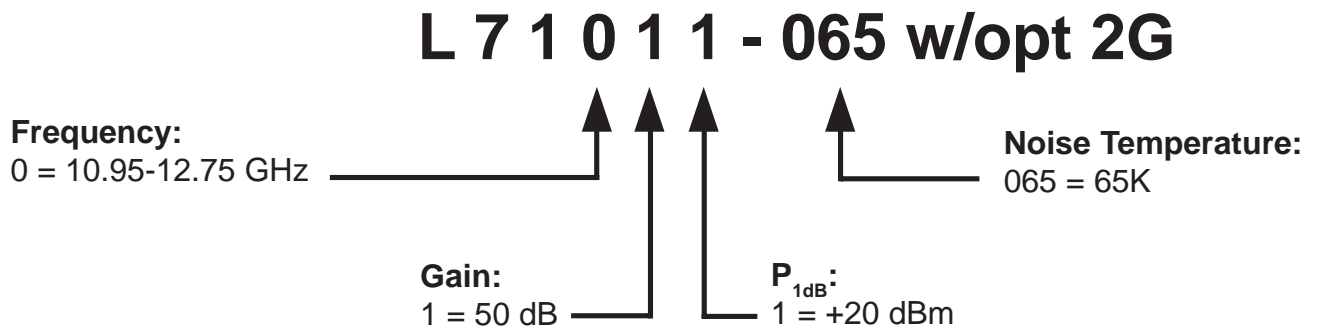
Construct part number as follows:



Other Options:

- Opt. 1: N female output (std. = SMA Female)
- Opt. 2G: Green paint per Fed. Std. 595 chip #34094 (std = White)
- Opt. 2T: Desert Tan paint per Fed. Std. 595 chip #33446 (std = White)
- Opt. 3: Dust cover for MS connector (std = no cover)
- Opt. 4: 110/220 VAC power supply (std = DC power)

Example: 10.95-12.75 GHz, 50 dB Gain, +20 dBm Output, 65K Noise, Green Paint



Please confirm configurations against product specifications, and with factory, prior to order.

176 Technology Dr., Suite 200, Boalsburg, PA 16827 USA • Tel: +1 814 466 6275 • Fax: +1 814 466 1104

www.locusmicrowave.com

07/06